

CLINICAL CHEMISTRY | HEMOSTASIS | INFECTIOUS DISEASE | POINT OF CARE

# KC1 $\Delta$ <sup>TM</sup> and KC4 $\Delta$ <sup>TM</sup>



## KC1 $\Delta$ <sup>TM</sup> and KC4 $\Delta$ <sup>TM</sup> Coagulation Analyzers

The Perfect Fit for Small Volume Coagulation Laboratories

### Instrument Features

- Patented Mechanical Clot Detection for reproducible and reliable results
- Half-volume PT and APTT testing for significant savings
- Auto Start Testing
- Flexible instrumentation to simplify both routine and STAT testing
- Data management capabilities
- Short lag time (4.6 sec.) suitable for veterinarian applications
- Excellent replacement for a Fibrometer
- The perfect back-up for optical clot detection analyzers



## Analyzer Components and Specifications

### KC1 $\Delta$ <sup>TM</sup>

One test position with preparation area for 4 samples  
 Half volumes  
 Test menu includes PT, APTT, Fibrinogen  
 Short lag time for veterinary applications  
 Open system  
 Automatic INR Calculation  
 Printer available for purchase with analyzer

### Specifications

Dimensions: 3.25 in H x 8.25 in L x 5.5 in W  
 8.0 cm H x 21 cm L x 14 cm W  
 Weight: 2.5 lb (1.2 kg)  
 Product Number: G05000

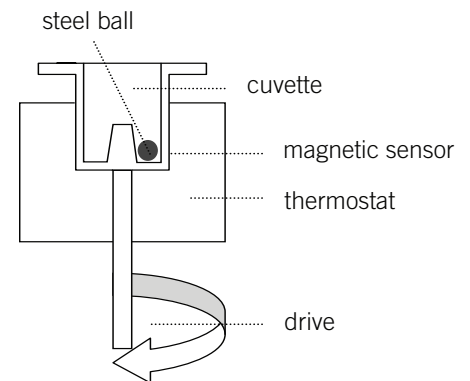
### KC4 $\Delta$ <sup>TM</sup>

Four test positions with preparation area for 12 samples  
 Half Volumes  
 Full range of clotting assays (PT, APTT, Fibrinogen Factors)  
 37° incubation area for eight samples and five reagents  
 Complete Data Management  
 Programmable single and duplicate test modes  
 Precision monitoring of duplicate tests  
 Printer available for purchase with analyzer

### Specifications

Dimensions: 4.7 in H x 17.7 in L x 13.9 in W  
 Dimensions: 12.0 cm H x 45.0 cm L x 35.4 cm W  
 Weight: 14 lb (6.3 kg)  
 Product Number: N04000

KC1 <sup>TM</sup> and KC4 <sup>TM</sup> Consumables and Accessories	
Product #	Description
G05000	KC1 $\Delta$ Coagulation Analyzer (1-channel mechanical clot detection)
N04000	KC4 $\Delta$ Coagulation Analyzer (4-channel mechanical clot detection)
870040	Printer DPU 414-30B (KC Delta)
852020	Paper Roll CR-A- 5 rolls
852015	KC Delta Thermal Printer Paper 112x25x12
859095	Ribbon Cassette CRA
Z01000	Ball Dispenser
Z04101	Univets Macro for KC1 $\Delta$ - 220
Z04140	Micro Tetravettes for KC4 $\Delta$ and KC4A Micro- 600
Z05100	KC Macro cuvettes/balls for KC1 $\Delta$ and KC4A Macro- 1,000
Z05111	KC Micro cuvettes/balls for KC4 $\Delta$ , KC4A Micro, KC1A Micro- 2,000
P01001	KC Pipette (50 $\mu$ L) with Starter Cable
P01101	KC Pipette (100 $\mu$ L) with Starter Cable
K4257	KC1 $\Delta$ , KC1A Pipette Tips, 200 $\mu$ L (yellow)- 2,000
837040	KC Delta Pipette Tips- 1,000
838012	KC4 $\Delta$ , KC4A CombiTips, 1.25 ml pipette tips- 100
838025	KC4 $\Delta$ , KC4A CombiTips, 2.5 ml pipette tips- 100
838830	KC $\Delta$ Adjustable Pipette 50/100/200 $\mu$ L
1463	Pipette Tips 25/50/100/200 $\mu$ L- 1,000
832150	Glass Tubes - 14.5x85mm- 50
832155	Plastic Tubes - 14.5x85mm- 50



Patented Ball Method for Clot Detection

To learn more about the **KC1 $\Delta$ <sup>TM</sup>** and **KC4 $\Delta$ <sup>TM</sup>** and our complete line of fully automated Analyzers, call Trinity Biotech at 800-325-3424, or e-mail us at [coag@trinityusa.com](mailto:coag@trinityusa.com).



---

## For More Information Contact:

### The Infolab Distribution Center Nearest You

**Clarksdale, MS****Toll Free: 1-800-647-8222****Phone: (662) 627-2283****Fax: (662) 627-1913****Email:****infolabms@infolabinc.com****Fort Oglethorpe, GA****Toll Free: 1-800-241-8953****Phone: (706) 861-5046****Fax: (706) 866-5234****Email:****infolabga@infolabinc.com****Greensboro, NC****Toll Free: 1-800-782-9700****Phone: (336) 272-2874****Fax: (336) 274-9473****Email:****infolabnc@infolabinc.com****Round Rock, TX****Toll Free: 1-800- 322-3882****Phone: (512) 255-7994****Fax: (512) 244-9659****Email:****infolabtx@infolabinc.com****Ocala, FL****Toll Free: 1-800- 734-7584****Phone: (352) 237-9654****Fax: (352) 237-9733****Email:****infolabfl@infolabinc.com****Zionsville, IN****Toll Free: (866) 232-7096****Phone: (317) 873-4400****Fax: (317) 873-4443****Email:****infolabin@infolabinc.com**